

**C**handler Spreaders, Inc.  
Gainesville, Georgia  
Quality Fertilizer Equipment

**35 PT-FTLH EXW**



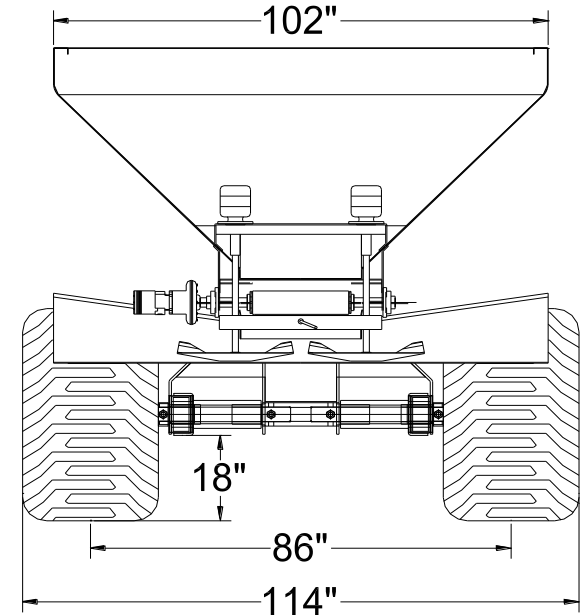
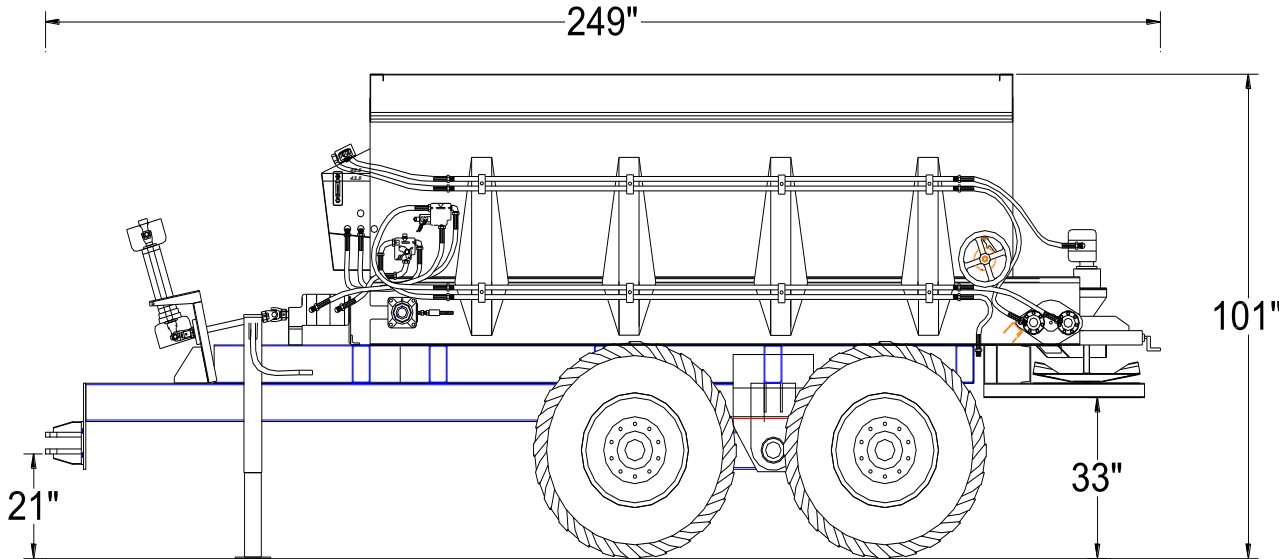
For more information contact us at 1-800-243-3319 or visit our website: [www.chandlerspreaders.com](http://www.chandlerspreaders.com)

# Chandler Spreaders, Inc.

Gainesville, Georgia  
Quality Fertilizer Equipment

# 35 PT-FTLH EXW

*"Specifications"*



*All Products and Specifications are subject to change without notice.*

	<u>Fertilizer @ 65 #</u>	<u>Lime @ 90 #</u>
Hopper Capacity (Struck Level)	280 Cu. Ft.	
Payload (struck level)	18,220 Lbs.	24,000 Lbs
Hopper Capacity (Heaped & Tarpred)	310 Cu Ft.	
Payload (Heaped)	20,150 Lbs.	28,000 Lbs.

**Hopper Construction:**

Available in three types of material: Mild Steel, 409 Stainless Steel, and 304 Stainless Steel

**Conveyor Specs:**

Available in three types: 24" - 1" x 1" Mesh Type-304 Stainless Steel, Bar Type Chain and Belt Over – Bar type Chain



**Spread Patterns: Fertilizer up to 70'**  
**Lime up to 50'**



**Tandem Axle Walking Beam Suspension**